

Countersunk External Serrated Tooth Lock Washer

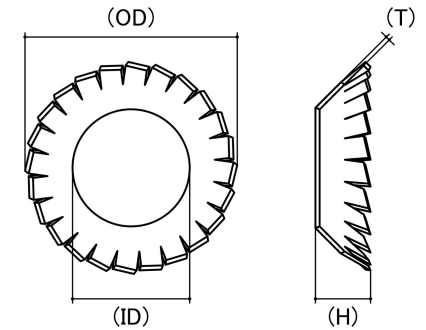
Material: Stainless Steel

Class Grade: A2-70 G304

Corrosion Protection Level: Excellent

Standard: DIN 6798 Type V

System Of Measurement: Metric



*CAD drawings shown for graphic representation only.**

Industry Size	Inside Dimension (ID) (mm)		Outside Dimension (OD) (mm)		Thickness (T) (mm)		Unloaded Washer Height (H) (mm)		Countersunk Angle	Approx Number Of Teeth	sku (qfind)
	Min	Max	Min	Max	Min	Max	Min	Max	Nom	Nom	
M3 x 6 x 0.2	3.20	3.60	5.70	6.00	0.20	0.30	1.60	1.80	90°	12	71LXCSS3
M4 x 8 x 0.25	4.30	4.70	7.70	8.00	0.25	0.35	2.15	2.25	90°	14	71LXCSS4
M5 x 9.8 x 0.3	5.30	5.70	9.50	9.80	0.30	0.40	2.55	2.65	90°	14	71LXCSS5
M6 x 11.8 x 0.4	6.40	6.80	11.50	11.80	0.40	0.50	3.15	3.25	90°	16	71LXCSS6
M8 x 15.3 x 0.4	8.40	8.80	15.00	15.30	0.40	0.50	4.00	4.20	90°	18	71LXCSS8

Disclaimer:

Dimensional data and technical information was obtained from publically available sources and not acquired through standard agencies. It has been completed and compiled for reference purposes only; where discrepancies are found they are subject to change without notice. Bolt & Nut Australia makes no warranties or representations regarding the accuracy and validity of the compiled information and data. Contact the relevant standard authorities for accurate and detailed information.

* CAD drawings may not reflect diameter, thread length or overall length.

© Bolt & Nut Australia Pty Ltd. All rights reserved.

Version: 18 Mar 2024